

# PWL-2P2T Power Switch

## Specifications

Rating:	6A 125/250VAC, >10,000 cycles
Operating Temp:	-25°C ~ +85°C
Insulation Resistance:	100 MΩ min.
Dielectric Strength:	1500VAC for 60 +/- 5 sec
Housing:	UL 94V0
Travel-to-lock	3.0mm (Total travel: 4.5mm)
Proof Tracking Index:	PTI-250V
Moving Contacts:	Silver alloy
Safety approvals:	UL, cUL, VDE
Buttons:	BF / BC series caps
Operating Force:	560 +/- 150gf 650 +/- 150gf 800 +/- 150gf



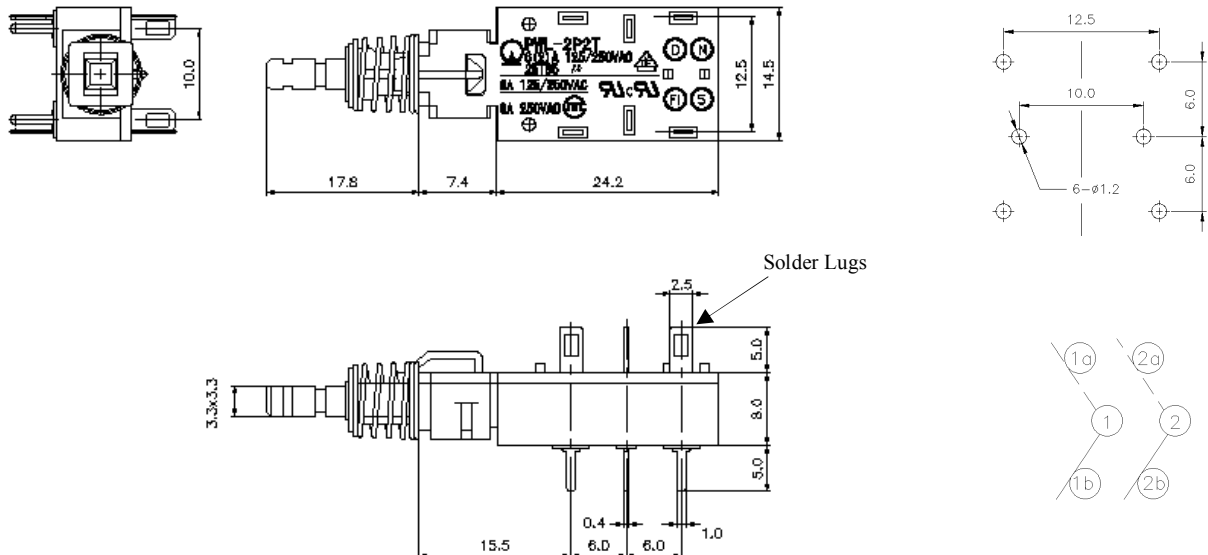
Ordering qty: 200pcs

## Ordering Single Switch

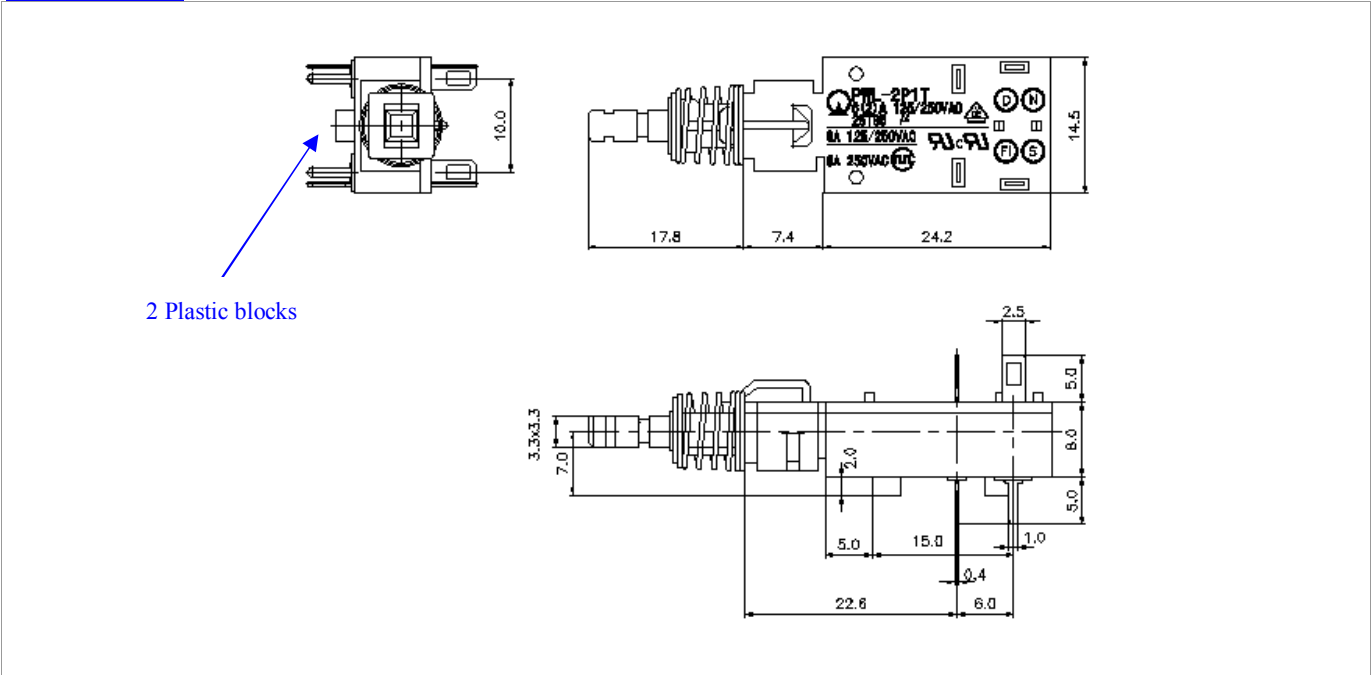
PWL-2P2T	-	6 S	A	S	T	A
<u>PWL-2P2T</u> normal 2P2T		<u>Function</u> S = Self Lock	<u>Terminals</u> A= with PCB & solder lugs	<u>Housing</u> P	<u>Mounting Chassis</u> H = 2 x Ø 3.2 mm	<u>Operating force</u> A: 560 +/- 150gf
<u>PWL-2P1TR</u> 2P1T normal close		N = Non-lock	B= with PCB pins only C= with solder lugs only		T = 2 x (M3x 0.5 mm) C=Chassis ear cut P=2 x Ø 3.2 mm Mounting	B: 800 +/- 150gf C: 650 +/- 150gf
<u>PWL-2P1TL</u> 2P1T normal open					Holes Distance Between Holes is 18mm G=2 x Ø 2.4 mm Mounting Holes Distance Between Holes is 18mm Nil: No chassis	

## Dimension & Drawing

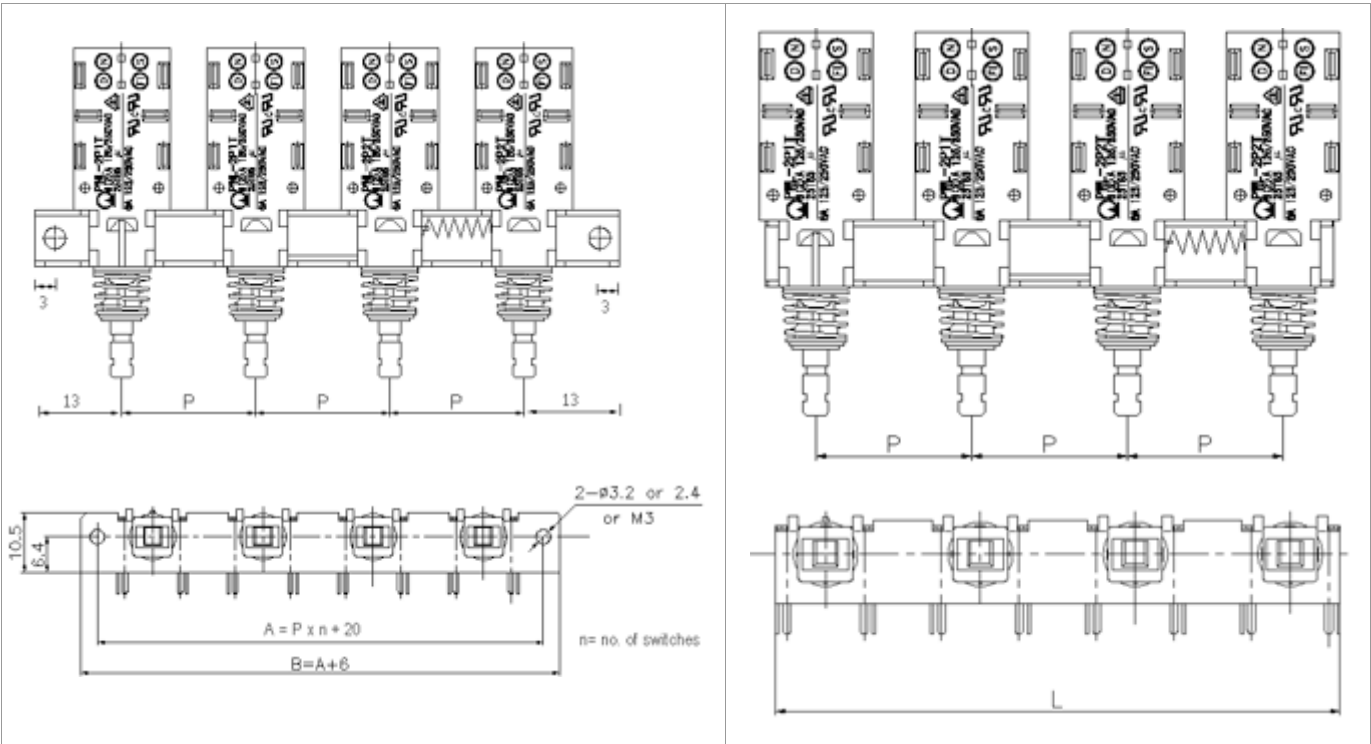
### PWL-2P2T



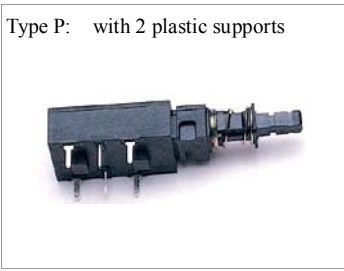
**PWL-2P1TL** (2P1T normal open)



**Switch Assembly**



**Housing Types**



(Only 800gf type is available for K & F type housings)

## Ordering Switch Assembly

For Gang Switch (Switch assembly) ordering, please refer to Appendix A in this catalogue.

## Standard Items

Part Number	Rating	Circuitry	Op. force	Terminals	Chassis	PTI
PWL-2P2T-6SBPA	6A	2P2T	560 +/- 150gf	PCB	-	250V
PWL-2P2T-6SBPTA	6A	2P2T	560 +/- 150gf	PCB	M3x0.5mm	250V
PWL-2P2T-6SAPA	6A	2P2T	560 +/- 150gf	PCB + solder lug	-	250V
PWL-2P2T-6SAPTA	6A	2P2T	560 +/- 150gf	PCB + solder lug	M3x0.5mm	250V
PWL-2P2T-6SBPB	6A	2P2T	800 +/- 150gf	PCB	-	250V
PWL-2P2T-6SBPTB	6A	2P2T	800 +/- 150gf	PCB	M3x0.5mm	250V
PWL-2P2T-6SBKB	6A	2P2T	800 +/- 150gf	PCB	PCB Legs	250V
PWL-2P2T-6SAPB	6A	2P2T	800 +/- 150gf	PCB + solder lug	-	250V
PWL-2P2T-6SAPTB	6A	2P2T	800 +/- 150gf	PCB + solder lug	M3x0.5mm	250V
PWL-2P1TL-6SBPA	6A	2P1T	560 +/- 150gf	PCB	-	250V
PWL-2P1TL-6SBPTA	6A	2P1T	560 +/- 150gf	PCB	M3x0.5mm	250V
PWL-2P1TL-6SAPA	6A	2P1T	560 +/- 150gf	PCB + solder lug	-	250V
PWL-2P1TL-6SAPTA	6A	2P1T	560 +/- 150gf	PCB + solder lug	M3x0.5mm	250V
PWL-2P1TL-6SBPB	6A	2P1T	800 +/- 150gf	PCB	-	250V
PWL-2P1TL-6SBPTB	6A	2P1T	800 +/- 150gf	PCB	M3x0.5mm	250V
PWL-2P1TL-6SBKB	6A	2P1T	800 +/- 150gf	PCB	PCB Legs	250V
PWL-2P1TL-6SAPB	6A	2P1T	800 +/- 150gf	PCB + solder lug	-	250V
PWL-2P1TL-6SAPTB	6A	2P1T	800 +/- 150gf	PCB + solder lug	M3x0.5mm	250V