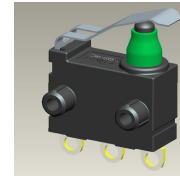
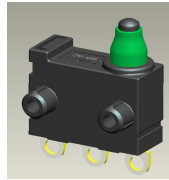


**Specification**

|                       |  |
|-----------------------|--|
| Electrical rating     | 100mA 30VDC;10mA 14VDC , 40T85                         |
| Electrical Life       | 100mA 30VDC 50,000 cycles<br>10mA 14VDC 200,000 cycles |
| Mechanical Life       | 500,000 cycles   |
| Contact Resistance:   | 500mΩ Max. (initial)                                   |
| Operating Force:      | 150±50gf   |
| Insulation Resistance | 50 MΩ Min.   |
| Dielectric Strength   | 500VAC for 60±5 sec                                    |
| Housing               | UL94 HB  |



**IP Protection**

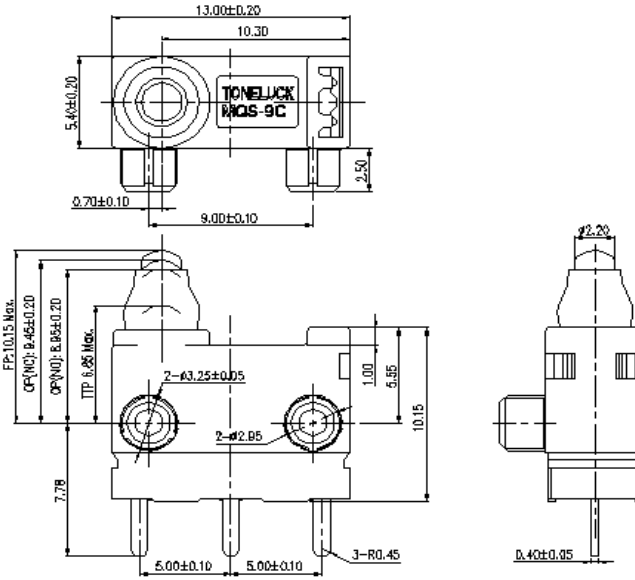
| Series | Actuation Side | Terminal Side | OF       | OP(NC)      | OP(NO)      |
|--------|----------------|---------------|----------|-------------|-------------|
| MQS-9C | IP 67          | IP 00         | 150±50gf | 9.45±0.20mm | 8.95±0.20mm |

**Ordering Instruction**

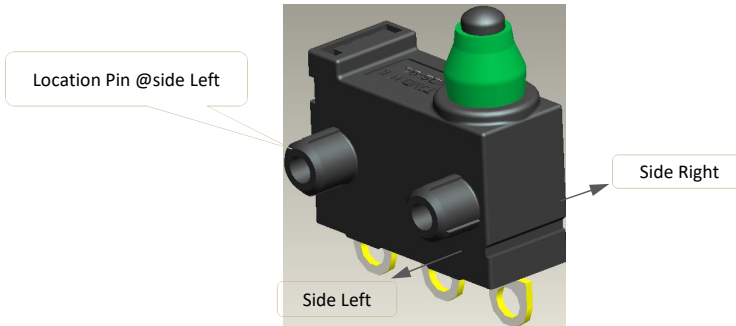
|        |   |   |   |    |   |    |
|--------|---|---|---|----|---|----|
| MQS-9C | 1 | N | A | 01 | - | 01 |
|--------|---|---|---|----|---|----|

|                   |   |
|-------------------|---|
| Series            | MQS-9C  |
| Electrical rating | 1= 100mA 30VDC;10mA 14VDC,SPDT<br>2= 100mA 30VDC;10mA 14VDC,SPST-NC<br>3= 100mA 30VDC;10mA 14VDC,SPST-NO  |
| Location Pin      | A=Side L, 0.8mm<br>B=Side R, 0.8mm<br>C=Both Side, 0.8mm<br>D=Side L, 1.5mm<br>E=Side R, 1.5mm<br>F=Both Side, 1.5mm<br>G=Side L, 2.5mm<br>H=Side R, 2.5mm<br>J=Both Side, 2.5mm<br>K=Side L, 5.0mm<br>L=Side R, 5.0mm<br>M=Both Side, 5.0mm<br>N=No Location Pin             |
| Terminal Type     | A=Angled PCB pins, side L<br>B=Angled PCB pins, side R<br>C=Straight PCB pins<br>D=Solder terminal<br>E=Interlock terminal,side L<br>F= Interlock terminal,side R<br>P= Interlock2 terminal,side L<br>Q= Interlock2 terminal,side R<br>W=Wires Specification: eg.W1,W2,W3,etc |
| Lever Type        | 01,02,03.....<br>(00:no Lever)  |
| Version           | Standard Version: 01<br>Custom-made:02,03,04,etc.   |

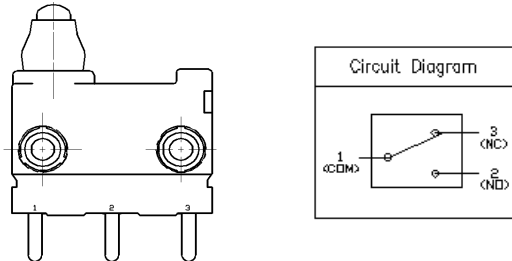
**Basic Dimensions**



**Common Characteristics**

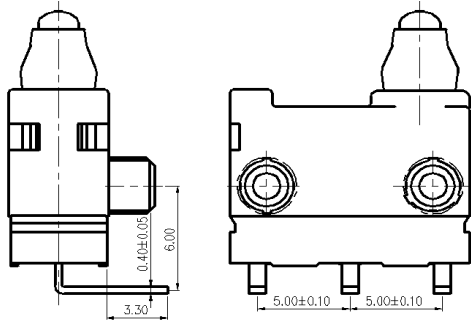


**Circuit**

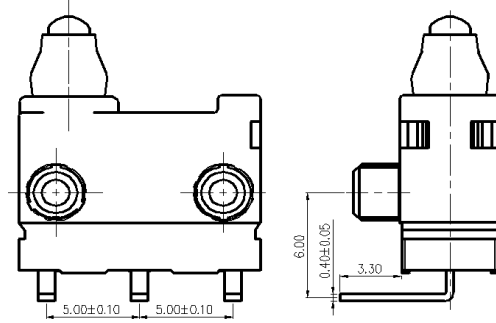


**Terminal type**

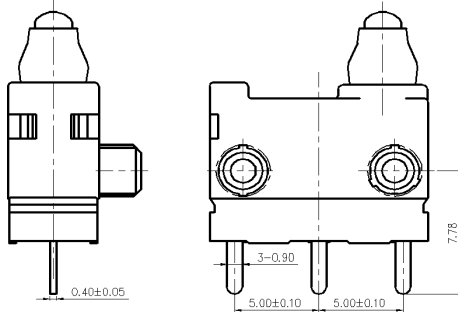
Type A: Left angled PCB terminal



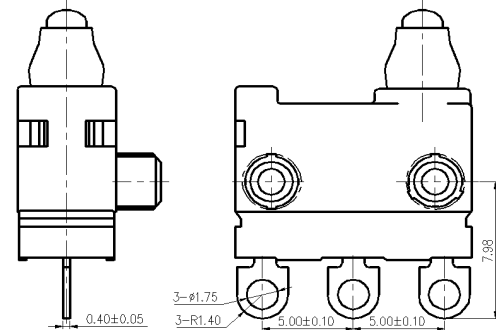
Type B: right angled PCB terminal



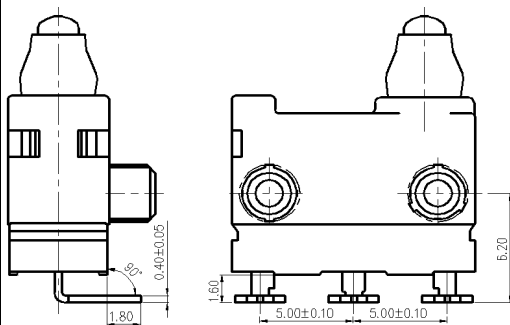
Type C: Straight PCB terminal



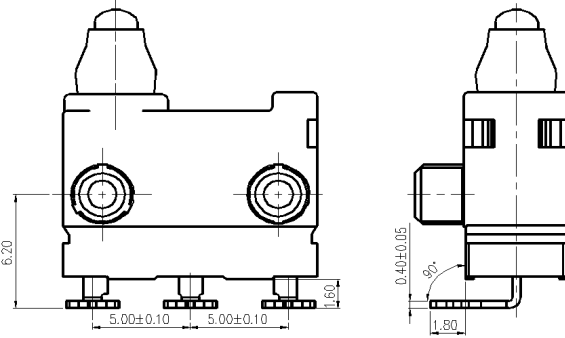
Type D: Solder terminal



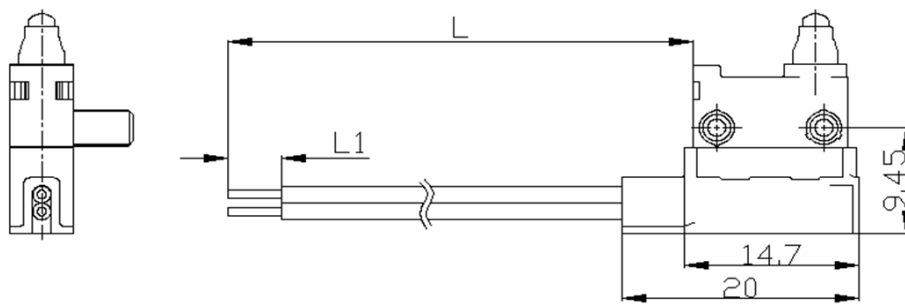
Type E: Interlock terminal, side L



Type F: Interlock terminal, side R

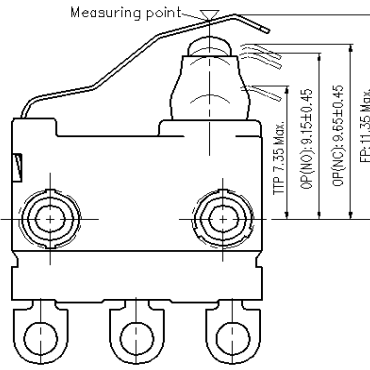


Type W: Cable Outlet (W1)



**Lever type**

L01 (Leaf lever)



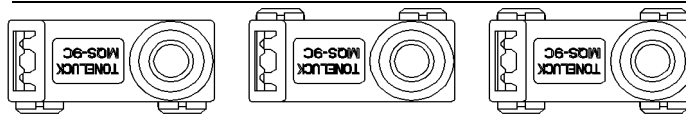
**Housing type**

Basic housing



N

Pin length 0.8mm

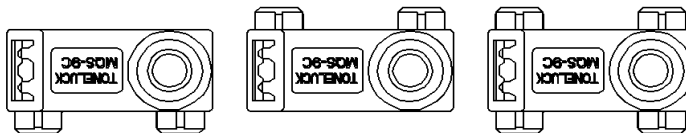


A

B

C

Pin length 1.5mm

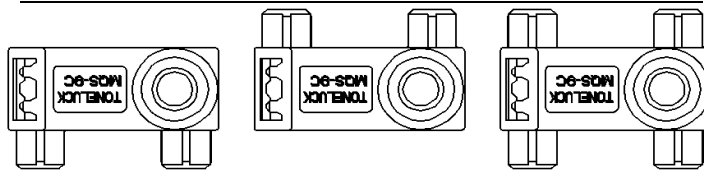


D

E

F

Pin length 2.5mm

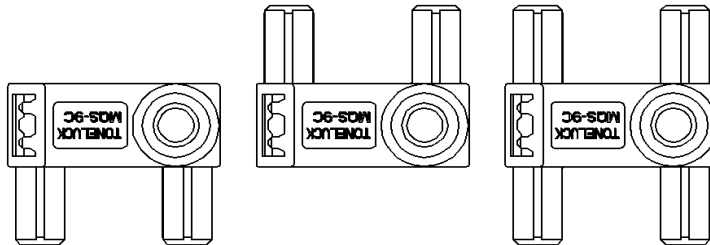


G

H

J

Pin length 5.0mm



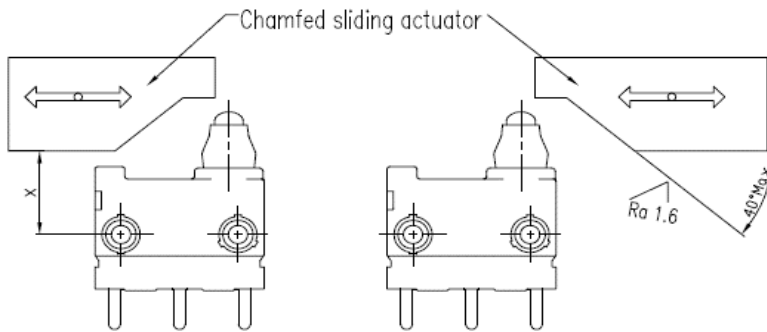
K

L

M

**Actuation Angle**

Besides actuating the micro-switch vertically, the switch could be operated by cam-shaped or chamfered sliding actuators with an approximate value of max. 40°. Please refer to the technical specification for the specified conditions.



The approximate value of 40° was tested under the following conditions:

- Chamfered sliding material: POM.
- Polished chamfered sliding surface, greased with lubricant oil.
- Operation frequency : 30 cycles per minute.
- Operating travel until permissible end position measure " X " (see switch drawing).