

**Specification**

Electrical rating	1~50mA/5~16VDC, 40T85, 300,000 cycles
Mechanical Life	500,000 cycles
Contact Resistance:	500mΩ max. (initial)
Operating Force:	150gf Max.
Insulation Resistance	100 MΩ min.
Dielectric Strength	500VAC for 60 +/- 5 sec
Housing	UL94 HB



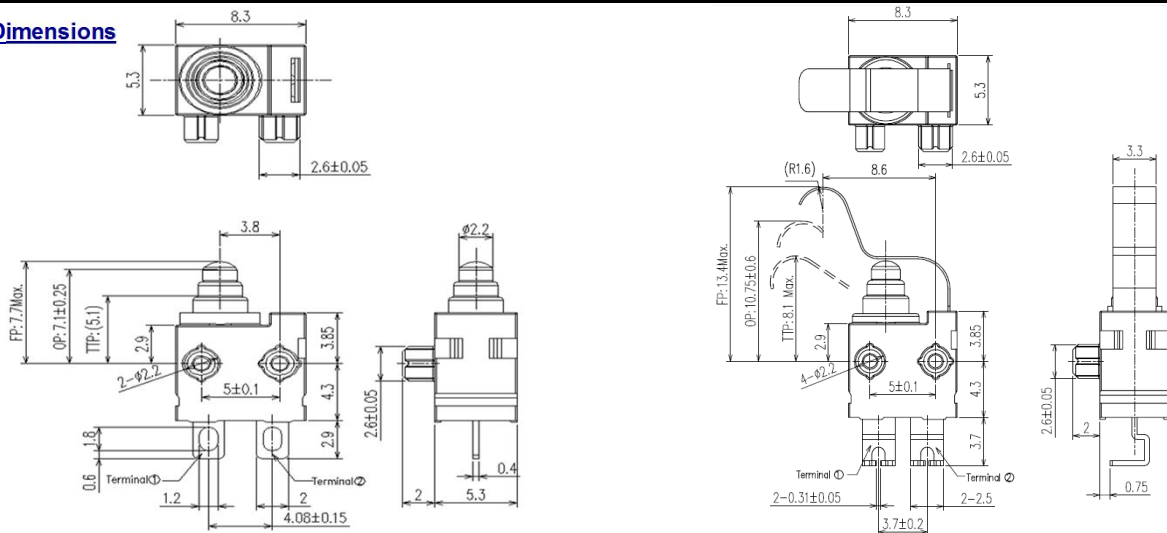
**IP Protection**

Series	Actuation Side	Terminal Side	OF	OP
MQS-9B	IP 67	IP 00	50 - 150 gf	7.1±0.25mm

**Ordering Instruction**

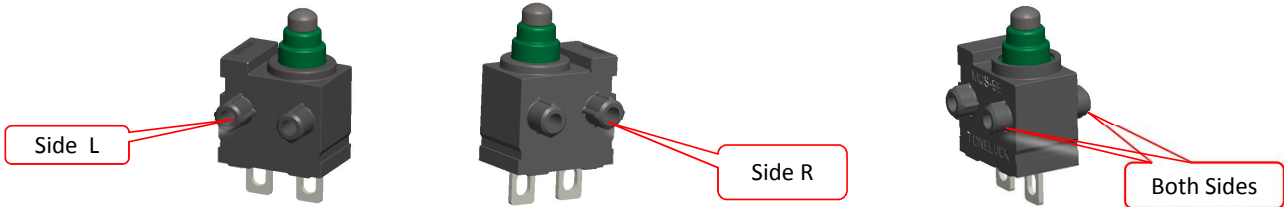
Series	MQS-9B	1	A	D	01	-	01
MQS-9B							
Electrical rating	1= 1~50mA/5~16VDC, SPST NO 2= 1~50mA/5~16VDC, SPST NC						
Location Pin	A = Side L, 2mm B = Side R, 2mm C = Both Sides, 2.0mm D = Side L, 5.0mm E = Side R, 5.0mm F = Both Sides, 5.0mm N = No Location Pin G = Both Sides, 1.5mm						
Terminal Type	A=Angled PCB pins, side L B=Angled PCB pins, side R C=Straight PCB pins D=Solder terminal E=Interlock terminal,side L F= Interlock terminal,side R G= Interlock terminal P= Interlock2 terminal,side L Q= Interlock2 terminal,side R R= Interlock3 terminal,side L T= Interlock3 terminal,side R W=Wires Specification: eg.W1,W2,W3,etc						
Lever Type	00,01,02,03 ... (00 = No lever) (01= 1# lever, 02=2# lever, Custom-made:03,04,etc.)						
Version	Standard Version: 01 Custom-made:02,03,04,etc.						

**Basic Dimensions**



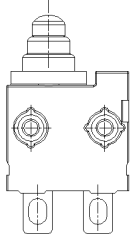
REV. Project

**Common Characteristics**

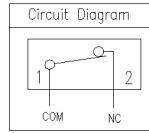
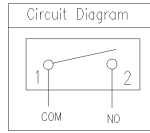


**Circuit**

MQS-9BXXXX-XX

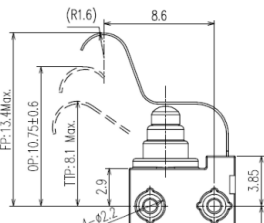


COM NC/NO

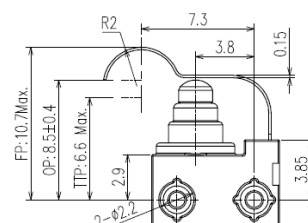


**Lever type**

Type 01: 1# Lever

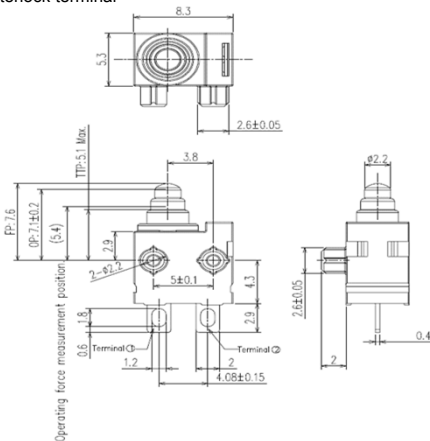


Type 02: 2# Lever

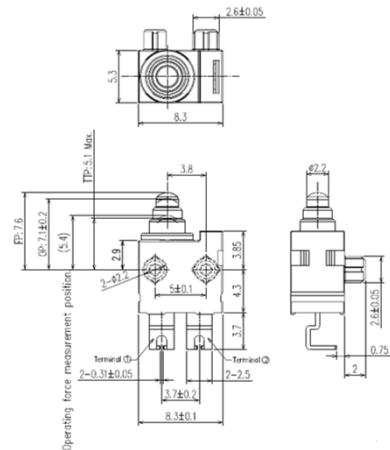


**Terminal type**

Type D: Interlock terminal

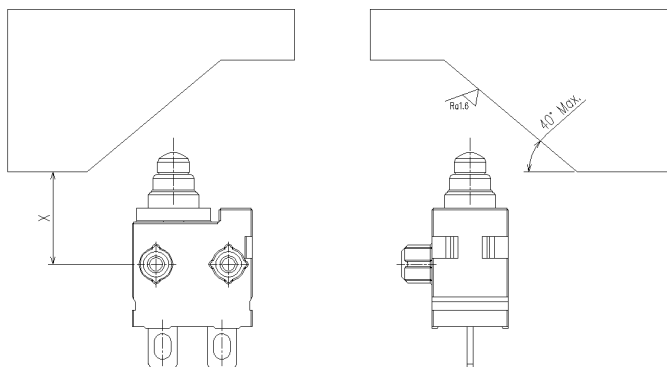


Type R: Interlock terminal



**Actuation Angle**

Besides actuating the micro-switch vertically, the switch could be operated by cam-shaped or chamfered sliding actuators with an approximate value of max. 40°. Please refer to the technical specification for the specified conditions.



The approximate value of 40° was tested under the following conditions:

- Chamfered sliding material:POM.
- Polished chamfered sliding surface,greased with lubricant oil.
- Operation frequency :30 cycles per minute.
- Operating travel until permissible end position measure "X"(see switch drawing).