

Specification

Electrical rating	2A/12VDC, 40T85, 100000 cycles
	2A/24VDC, 40T85, 50000 cycles
	10mA/12VDC, 40T85, 250000 cycles
	0.1mA/250VAC, 40T85, 50000 cycles
	0.5mA/250VAC, 40T85, 10000 cycles
Mechanical Life	1,000,000 cycles
Contact Resistance:	50mΩ Max. (initial)
Insulation Resistance	100 MΩ Min.
Dielectric Strength	500VAC for 60 ± 5 sec.
Housing	UL94 V-0



IP Protection

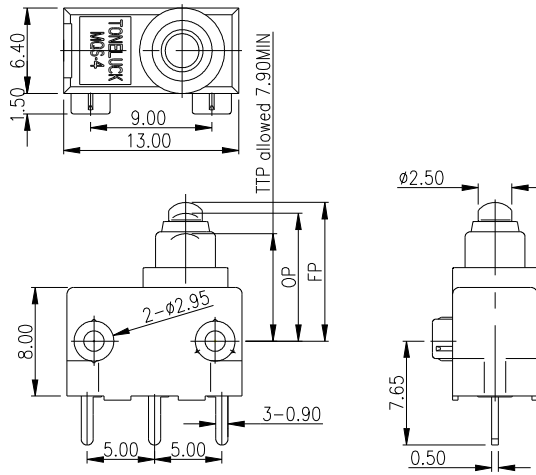
Series	Actuation Side	Terminal Side	OF	OP
MQS-41	IP 40	IP 00	50 - 150 gf	6.15±0.3mm
MQS-42	IP 67	IP 00	50 - 200 gf	9.40±0.3mm
MQS-43	IP 67	IP 67	50 - 200 gf	9.40±0.3mm

Ordering Instruction

MQS-41	1	A	A	00	Ag	01
--------	---	---	---	----	----	----

Series						
MQS-41						
MQS-42						
MQS-43: second molding with wire						
Electrical rating						
1= 2A/12VDC,SPDT	6= 0.1A/250VAC,SPST-NO					
2= 10mA/12VDC,SPDT	7= 2A/12VDC,SPST-NC					
3= 0.1A/250VAC,SPDT	8= 10mA/12VDC,SPST-NC					
4= 2A/12VDC,SPST-NO	9= 0.1A/250VAC,SPST-NC					
5= 10mA/12VDC,SPST-NO						
Location Pin						
A = Side A, 1.5mm	F = Both Sides, 2.5mm					
B = Side B, 1.5mm	G = Side A,5mm					
C = Both Sides, 1.5mm	H = Side B, 5mm					
D = Side A, 2.5mm	J = Both Sides, 5mm					
E = Side B, 2.5mm	N = No Position Pin					
	M=Side A, 2.5mm+Side B(single), 0.8mm					
Terminal Type						
A=Angled PCB pins, side A	H=Angled Solder terminal,Side B					
B=Angled PCB pins, side B	J=Interlock terminal,side A					
C=Straight PCB pins	K= Interlock terminal,side B					
D=Straight crimped PCB pins	M=Short Interlock terminal,side B					
E=Solder terminal	W=Wires Specification: eg.W1,W2,W3,etc					
F=Terminal B	P=Soder-free Clamping terminal					
Lever Type						
00,01,02,03 ... (00 = No lever) (P1= metal hat)						
Contact Plating						
Ag=Sliver Alloy						
Version						
01:Standard Version						
02:Special Version						
Custom-made:03,04,etc.						

Basic Dimensions

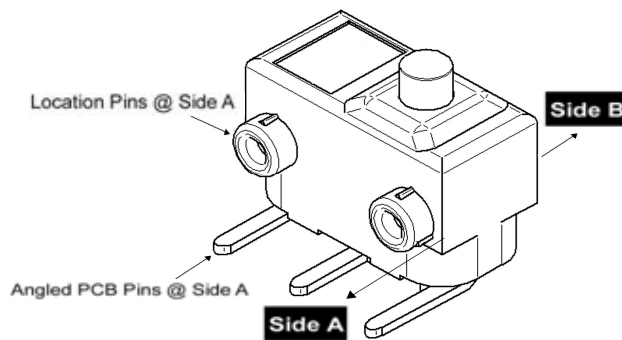


Common Characteristics

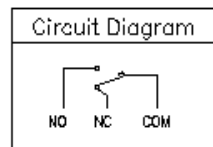
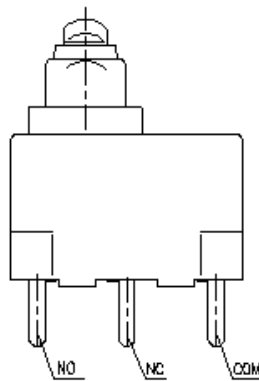
MQS-41/MQS-42: SPDT
 MQS-43: SPDT, SPST-NC, SPST-NO

Movement Differential: 0.4 mm Max.
 Pre-travel Distance: 1.2mm Max.
 Over-travel Distance: 1.2mm Min.

Standard Contact Plating: Silver Alloy

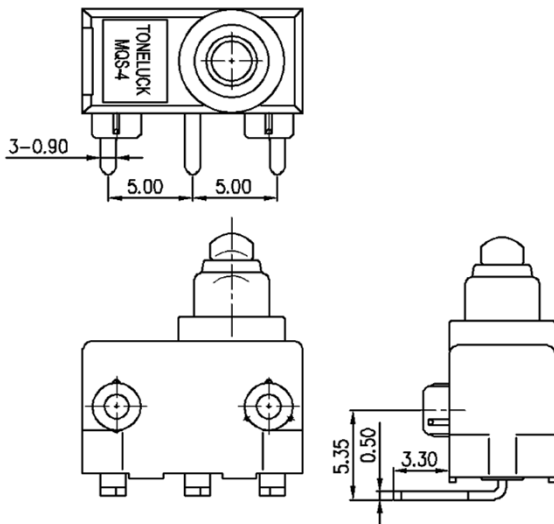


Circuit

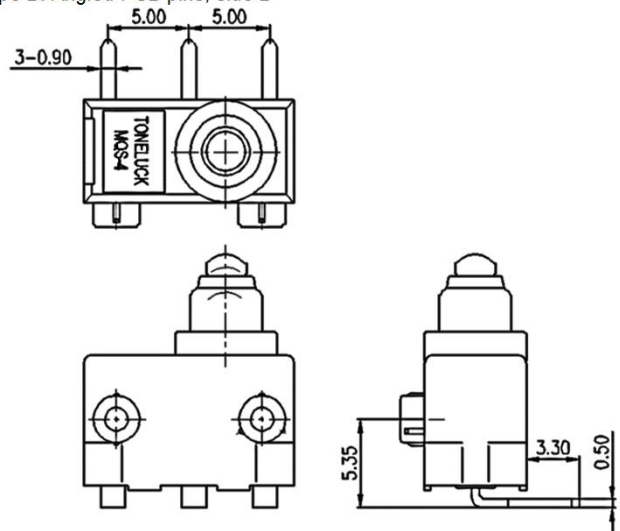


Terminal Type

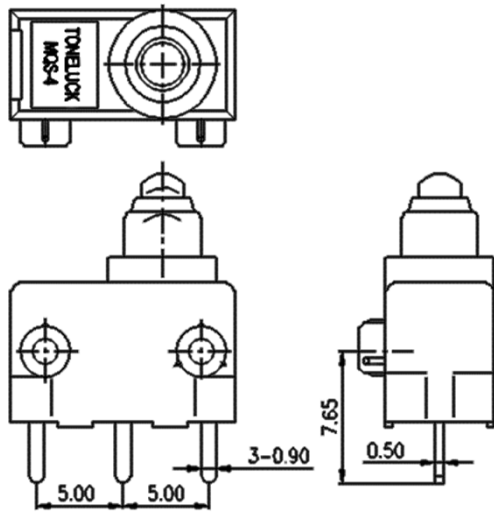
Type A: Angled PCB pins, side A



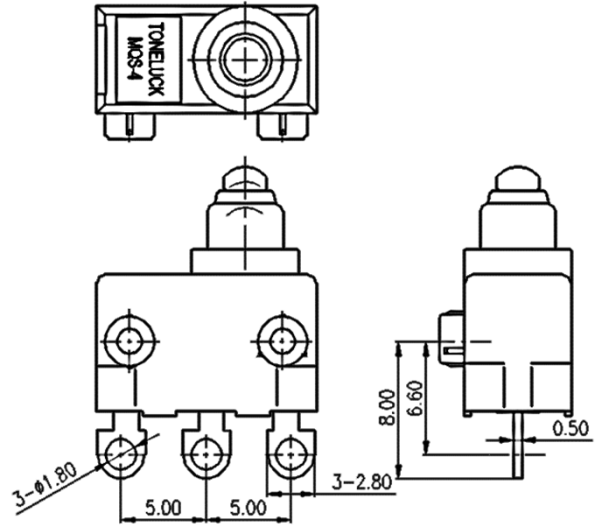
Type B: Angled PCB pins, side B



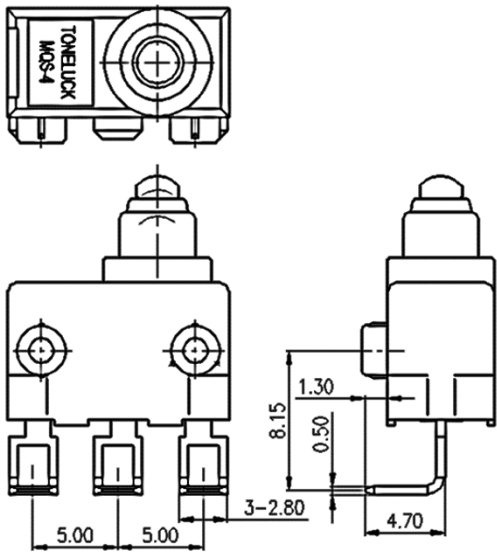
Type C: Straight PCB pins



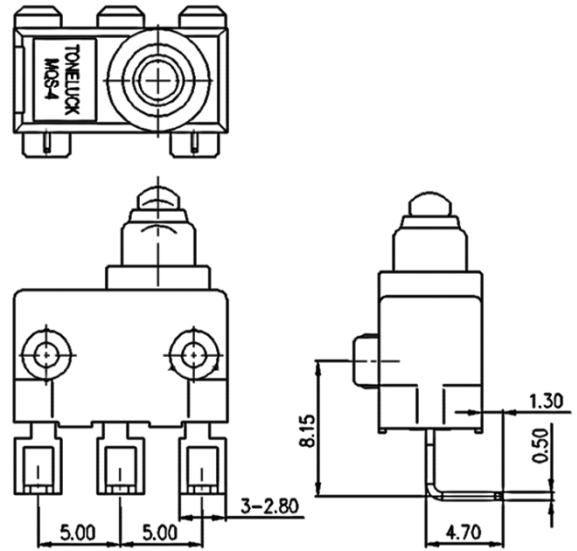
Type E: Solder terminal



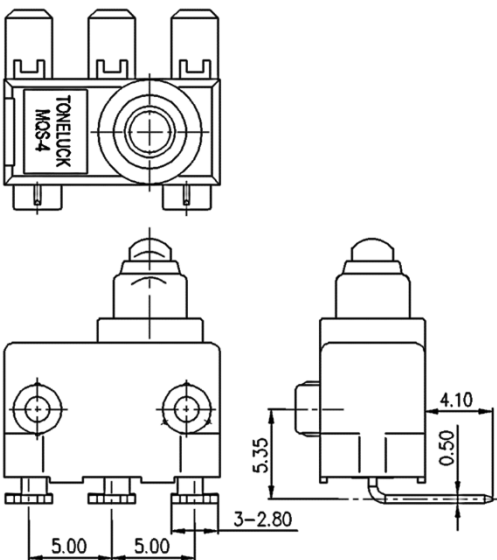
Type J: Interlock terminal, side A



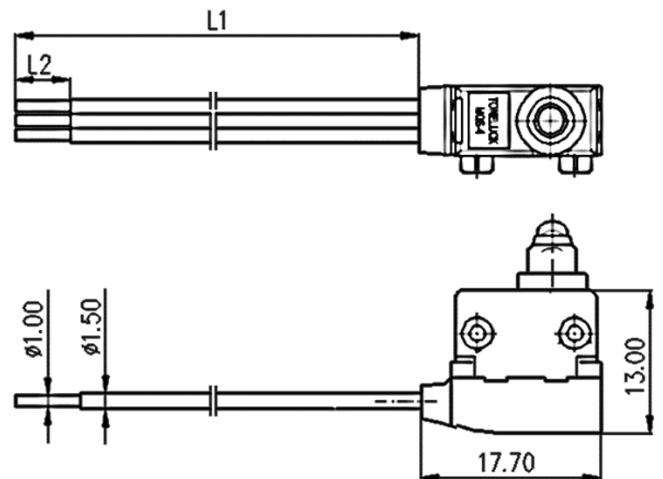
Type K: Interlock terminal, side B



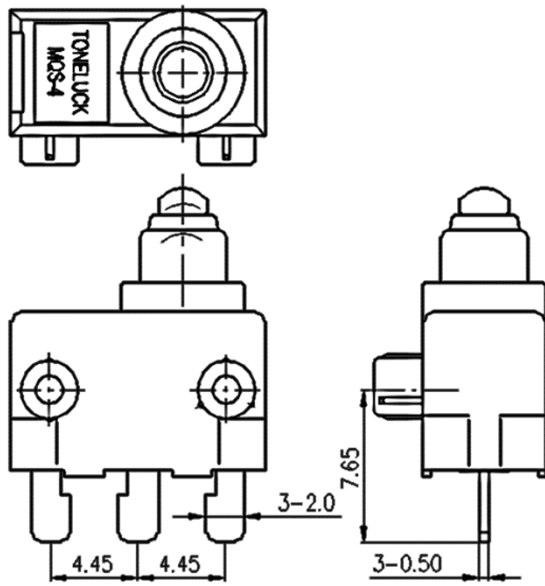
Type M: Short Interlock terminal, side B



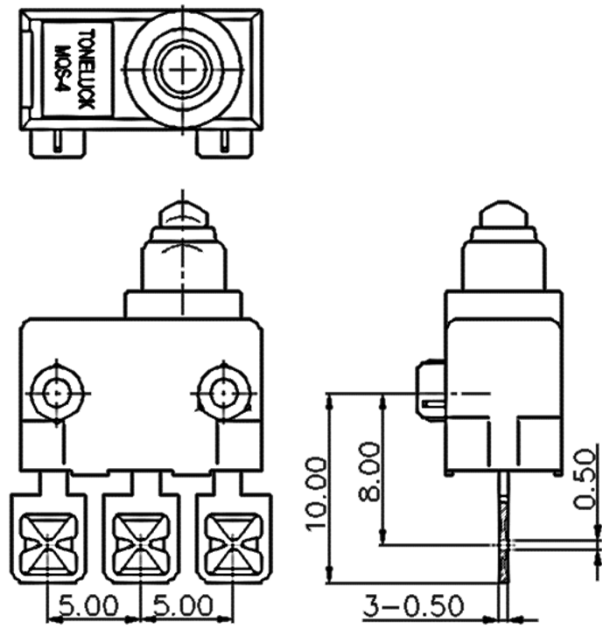
Type W: Wires Specification



Type F: Terminal B

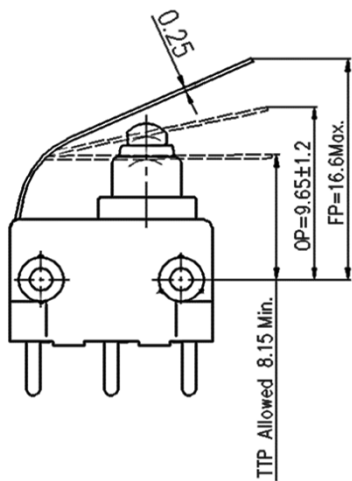


Type P: Soder-free Clamping terminal

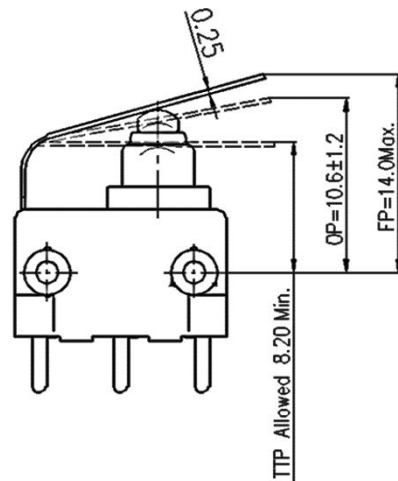


Lever type

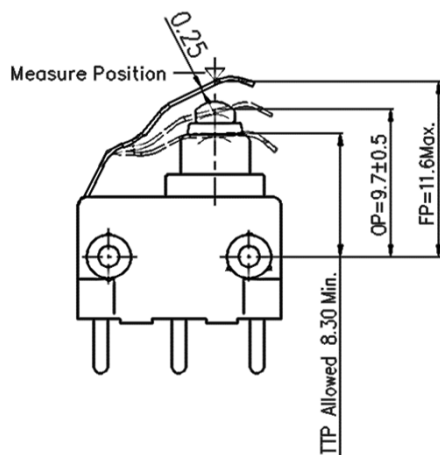
Lever Type = 01



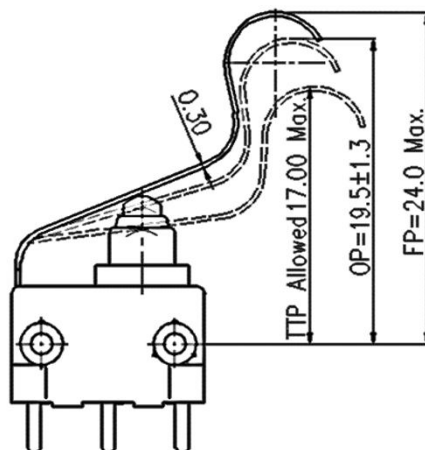
Lever Type = 02



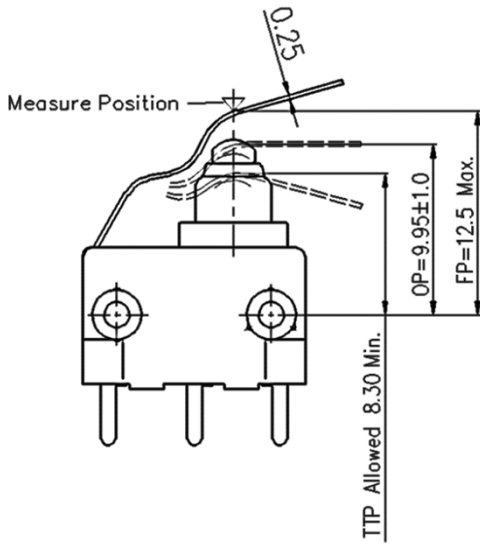
Lever Type = 03



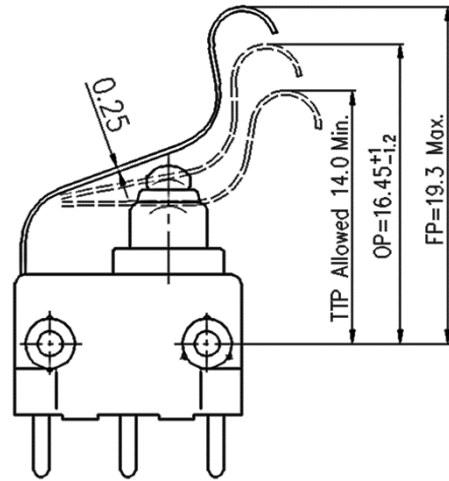
Lever Type = 04



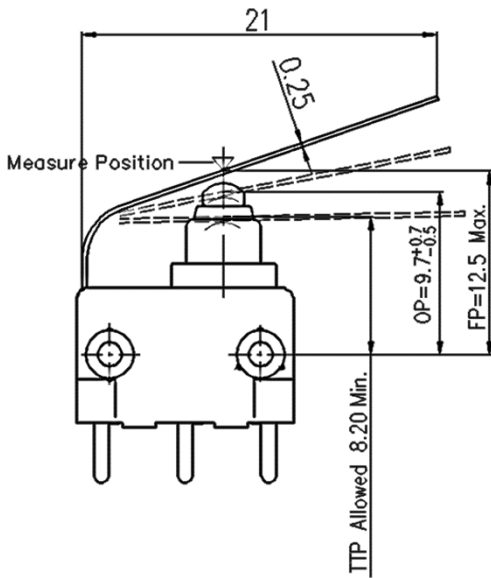
Lever Type = 05



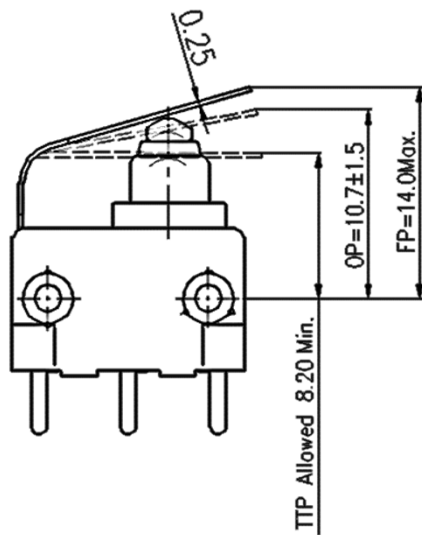
Lever Type = 06



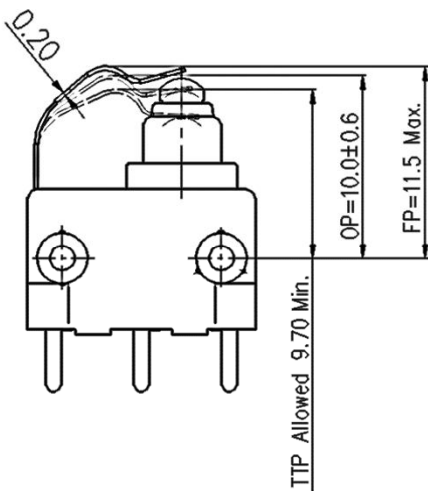
Lever Type = 07



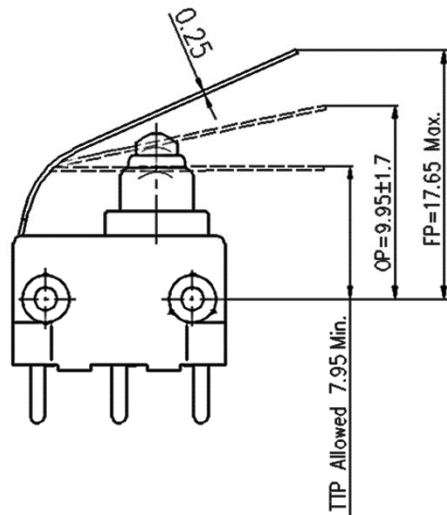
Lever Type = 08



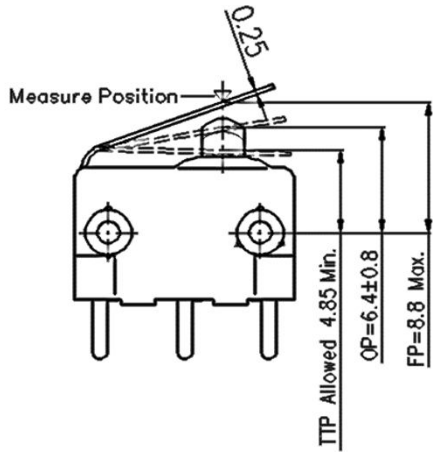
Lever Type = 09



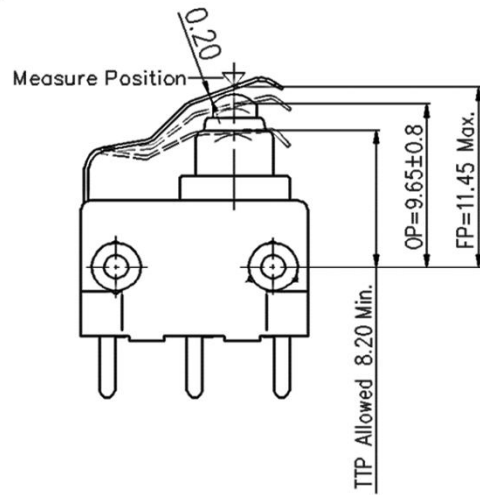
Lever Type = 10



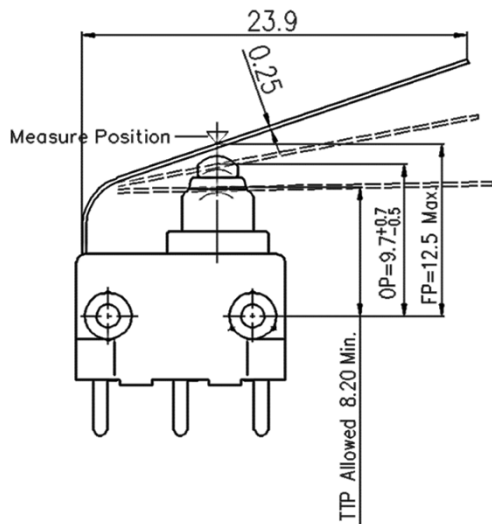
Lever Type = 11



Lever Type = 12

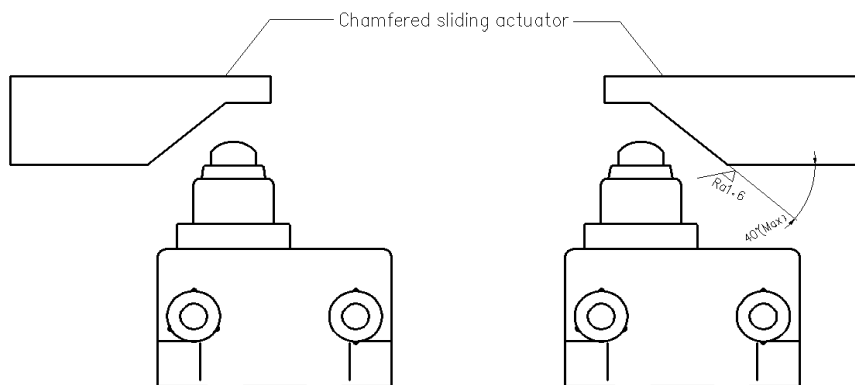


Lever Type = 13



Actuation Angle

Besides actuating the micro-switch vertically, the switch could be operated by cam-shaped or chamfered sliding actuators with an approximate value of Max. 40°. Please refer to the technical specification for the specified conditions.



The approximate value of 40° was tested under the following conditions:

- Chamfered sliding material : POM.
- Polished chamfered sliding surface, greased with lubricant oil .
- Operation frequency :30 cycles per minute.
- 0.3mm away from total travel position.
- Suggest angle ≤30° if no grease on sliding surface.